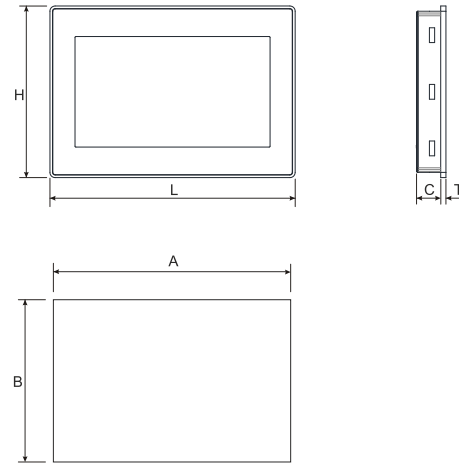




eX2xx Web

Installation guide
 Installationsanleitung
 Notice d'installation
 Guía de instalación
 Guida di installazione

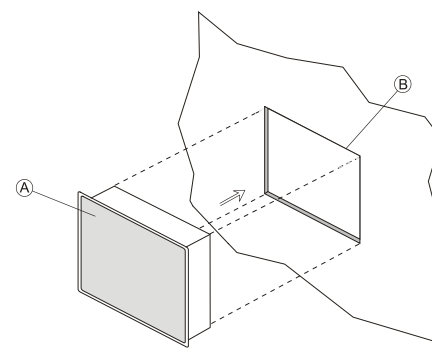
1 DIMENSION-CUT OUT/ ABMESSUNGEN-EINBAUausschnitt / DIMENSION-DECOUPE/ DIMENSIONES-SECCION/ DIMENSIONI-FORATURE



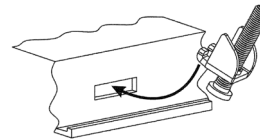
MODEL	C	H	L	T
eX205 Web	29mm/01.14"	107mm/04.21"	147mm/05.79"	8mm/00.31"
eX207 Web	29mm/01.14"	147mm/05.79"	187mm/07.36"	8mm/00.31"
eX210 Web	29mm/01.14"	197mm/07.76"	282mm/11.10"	8mm/00.31"
eX215 Web	35mm/01.38"	267mm/10.51"	422mm/16.61"	10mm/00.39"

MODEL	A	B
eX205 Web	136mm/05.35"	96mm/3.78"
eX207 Web	176mm/06.93"	136mm/5.35"
eX210 Web	271mm/10.67"	186mm/7.32"
eX215 Web	411mm/16.18"	256mm/10.08"

2 FIXING BRACKET/ BEFESTIGUNG/ MONTER ET SERRER LES ÉTRIERS/ PIEZAS DE SUJECCIÓN/ FISSAGGIO SUPPORTI

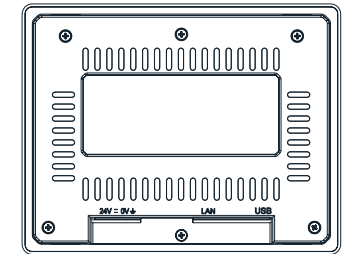
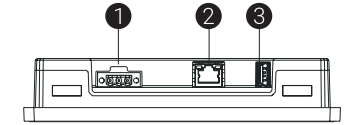


A. eX2xx Web
 B. Installation cut-out/ Einbaausschnitt/ Decoupe de montage/ Seccion para montaje /Foratura per il montaggio



Tightening torque: 75 Ncm
 Anzugsdrehmoment: 75 Ncm
 Couple de serrage: 75 Ncm
 Par de apriete: 75 Ncm
 Coppia di serraggio: 75 Ncm

3 REAR VIEW/ RÜCKANSICHT/ FACE ARRIERE/ VISTA POSTERIOR/ VISTA POSTERIORE



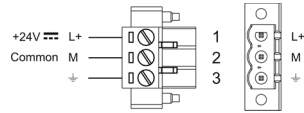
1. Power Supply
2. Ethernet Port
3. USB port (vers. 2.0-1.1)

* for maintenance only

! All ports are SELV (Safety Extra - Low Voltage) according European Standards and Class 2 according UL Standards
 Alle Anschlüsse sind SELV (Kleinspannung) nach europäischen Standards und Class 2 nach UL Standards
 Toutes les portes sont SELV (Extra Sécurité - Voltage bas) selon les normes européennes et de Class 2 selon normes UL
 Todos los puertos son SELV (Seguridad Extra - Baja tensión) según las normas europeas y Class 2 según las normas UL
 Tutte le porte sono in SELV (bassissima tensione di sicurezza) secondo le norme europee e Class 2 secondo UL

4 POWER SUPPLY/ SPANNUNGSVERSORGUNG/ ALIMENTATIO/ ALIMENTACION DE CORRIENTE/ ALIMENTAZIONE

! Extra low voltage power supply / Limited power source.
 Kleinspannung Stromversorgung / Limitierte Stromquelle.
 Alimentation de voltage extra bas / tension d'alimentation limitée.
 Fuente de alimentación de extra baja tensión / Tensión limitada.
 Alimentatore a bassissima tensione di sicurezza / sorgente di potenza limitata.

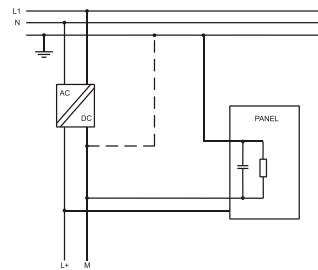


DC Power Connector - AWG24 wire size - R/C Terminal Blocks (XCFR2), Female pitch 5.08mm, torque 4.5 lb-in (50Ncm)
 DC Spannungsklemme - AWG24 Drahtstärke - R/C Terminal Block (XCFR2), weibloch Teilung 5.08mm, Drehmoment 4.5 lb-in (50Ncm)
 Alimentateur DC - AWG24 taille de fil - Blockages terminales R/C (XCFR2), terrain Femme 5.08mm, couple 4.5 lb-in (50Ncm)
 Conector de alimentación - AWG24 tamaño del cable - R/C Regleta de Tornillos (XCFR2), el tono femenino 5.08mm, par de apriete 4.5 lb-in (50Ncm)
 Connettore di alimentazione - dimensione cavi AWG24 - R/C morsetti (XCFR2), femmina passo 5.08mm, coppia 4.5 lb-in (50 Ncm)

! Do not open the cabinet while the system is powered up.
 Öffnen Sie das Gehäuse nicht, während das System eingeschaltet.
 Ne pas ouvrir le boîtier lorsque le système est sous tension.
 No abra la unidad mientras el sistema está encendido.
 Non aprire l'armadio quando il sistema è acceso.

! Don't open the panel rear cover when the power supply is applied.
 Das Bediengerät nicht unter Spannung öffnen.
 N'ouvrez pas le couvercle arrière avec le pupitre sous tension.
 No abra la parte posterior del terminal cuando esté conectado a tensión.
 Non aprire l'involucro dei pannelli quando sono alimentati.

The unit must be grounded at all times via terminal 3 on the power terminal.
 Das Gerät muss jederzeit geerdet sein über Klemme 3 an der Netzklemme.
 L'appareil doit être mis à la terre à tout moment via la borne 3 de la borne d'alimentation.
 La unidad debe estar conectada a tierra en todo momento a través del terminal 3 en la terminal de alimentación.
 L'unità deve essere sempre collegata a terra tramite il terminale 3 sul morsetto di alimentazione.



! Ensure that the power supply has enough power capacity for the operation of the equipment.
 Stellen Sie sicher, dass die Spannungsversorgung genügend Leistungskapazität für den Betrieb des Gerätes aufweist.
 Assurez vous que votre alimentation possède suffisamment de puissance pour le pupitre.
 Asegúrese que la fuente de alimentación tiene suficiente capacidad para operar con el equipo.
 Verificare che l'alimentatore sia in grado di erogare la potenza necessaria per il corretto funzionamento dell'apparechiatura.

5 TECHNICAL DATA / TECHNISCHE DATEN/ DONNÉES TECHNIQUES/ DATOS TÉCNICOS/ DATI TECNICI

eX205 Web

System Resources	
Display - Colors	5" - 16.7 M
Resolution	800x480
Brightness	400 Cd/m ² typ.
Dimming	Yes
Touchscreen	Projected Capacitive - Multitouch
CPU	64-bit RISC quad core - 1.6 GHz
Operating System	Linux
Flash	4 GB
RAM	2 GB
Real Time Clock, RTC Back-up	Yes
Interface	
Ethernet port	1 (10/100 Mbit)
USB port	1 (Host v. 2.0, max. 500 mA)
Buzzer	Yes
Indicator Light	1 (RGB LED)
Ratings	
Power supply	24 Vdc (9 to 32 Vdc)
Current Consumption	0.90A Max. , Class 2
Input Protection	Automatic
Battery	Yes (Supercapacitor)
Environment Conditions	
Operating Temperature	-20°C to +55°C
Storage Temperature	-30°C to +70°C
Operating / Storage Humidity	5-85% RH, non condensing
Protection Class	IP66 (front), IP20 (rear) not UL evaluated
Type	1, 4X Indoor Use Only, 12 Enclosure
Weight	0.5 Kg

eX207 Web

System Resources	
Display - Colors	7" - 16.7M
Resolution	1024x600
Brightness	400 Cd/m ² typ.
Dimming	Yes
Touchscreen	Projected Capacitive - Multitouch
CPU	64-bit RISC quad core - 1.6 GHz
Operating System	Linux
Flash	4 GB
RAM	2 GB
Real Time Clock, RTC Back-up	Yes
Interface	
Ethernet port	1 (10/100 Mbit)
USB port	1 (Host v. 2.0, max. 500 mA)
Buzzer	Yes
Indicator Light	1 (RGB LED)
Ratings	
Power supply	24 Vdc (9 to 32 Vdc)
Current Consumption	0.90A Max. , Class 2
Input Protection	Automatic
Battery	Yes (Supercapacitor)
Environment Conditions	
Operating Temperature	-20°C to +55°C
Storage Temperature	-30°C to +70°C
Operating / Storage Humidity	5-85% RH, non condensing
Protection Class	IP66 (front), IP20 (rear) not UL evaluated
Type	1, 4X Indoor Use Only, 12 Enclosure
Weight	0.7 Kg

eX210 Web

System Resources	
Display - Colors	10.1" - 16.7M
Resolution	1280x800
Brightness	400 Cd/m ² typ.
Dimming	Yes
Touchscreen	Projected Capacitive - Multitouch
CPU	64-bit RISC quad core - 1.6 GHz
Operating System	Linux
Flash	4 GB
RAM	2 GB
Real Time Clock, RTC Back-up	Yes
Interface	
Ethernet port	1 (10/100 Mbit)
USB port	1 (Host v. 2.0, max. 500 mA)
Buzzer	Yes
Indicator Light	1 (RGB LED)
Ratings	
Power supply	24 Vdc (9 to 32 Vdc)
Current Consumption	1.1A Max. , Class 2
Input Protection	Automatic
Battery	Yes (Supercapacitor)
Environment Conditions	
Operating Temperature	-20°C to +55°C
Storage Temperature	-30°C to +70°C
Operating / Storage Humidity	5-85% RH, non condensing
Protection Class	IP66 (front), IP20 (rear) not UL evaluated
Type	1, 4X Indoor Use Only,12 Enclosure
Weight	1.3 Kg

eX215 Web

System Resources	
Display - Colors	15.6" - 16.7M
Resolution	1920X1080
Brightness	350 Cd/m ² typ.
Dimming	Yes
Touchscreen	Projected Capacitive - Multitouch
CPU	64-bit RISC quad core - 1.6 GHz
Operating System	Linux
Flash	4 GB
RAM	2 GB
Real Time Clock, RTC Back-up	Yes
Interface	
Ethernet port	1 (10/100 Mbit)
USB port	1 (Host v. 2.0, max. 500 mA)
Buzzer	Yes
Indicator Light	1 (RGB LED)
Ratings	
Power supply	24 Vdc (9 to 32 Vdc)
Current Consumption	2.0A Max. , Class 2
Input Protection	Automatic
Battery	Yes (Supercapacitor)
Environment Conditions	
Operating Temperature	-20°C to +55°C
Storage Temperature	-30°C to +70°C
Operating / Storage Humidity	5-85% RH, non condensing
Protection Class	IP66 (front), IP20 (rear) not UL evaluated
Type	1, 4X Indoor Use Only,12 Enclosure
Weight	3.2 Kg

WARNING - Power, input and output (I/O) wiring must be in accordance with Class I, Division 2 wiring methods, Article 501.10 (B) of the National Electrical Code, NFPA 70 for installation in the U.S., or as specified in Section 18-1J2 of Canadian Electrical Code for installations within Canada and in accordance with the authority having jurisdiction.

A. WARNING - EXPLOSION HAZARD - DO NOT DISCONNECT WHILE THE CIRCUIT IS LIVE OR UNLESS THE AREA IS FREE OF IGNITABLE CONCENTRATIONS.
 B. THIS EQUIPMENT IS SUITABLE FOR USE IN CLASS I, DIVISION 2, GROUPS A, B, C AND D (T-code T4) OR NON-HAZARDOUS LOCATIONS, ONLY.
 C. eX200 SERIES MODELS, EXCEPT FOR THE FRONT PANEL DISPLAY, ARE OPEN-TYPE DEVOICES AND ARE REQUIRED TO BE INSTALLED IN AN ENCLOSURE SUITABLE FOR THE ENVIRONMENT SUCH THAT THE INTERNAL PART OF THE EQUIPMENT IS ONLY ACCESSIBLE WITH THE USE OF A TOOL.

AVERTISSEMENT - Le câblage de l'alimentation, des entrées et des sorties doit être en accord avec la méthode de câblage Classe I, Division 2, Article 501.10 (B) de la National Electrical Code; NFPA 70 pour les Etats-Unis, ou comme spécifié dans la section 18-1J2 de la Canadian Electrical Code pour les installations au Canada et en accord avec les autorités qui ont la juridiction.

A. AVERTISSEMENT - RISQUE D'EXPLOSION - NE DÉBRANCHEZ PAS LORSQUE LE CIRCUIT EST SOUS TENSION OU SAUF SI LA ZONE EST EXEMPTÉE DE CONCENTRATIONS INFLAMMABLES.
 B. CE MATÉRIEL EST ADAPTÉ À UNE UTILISATION DANS DES ENDROITS DE CLASSE I, DIVISION 2, GROUPE A, B, C ET D (code T4) OU DANS DES ENDROITS NON DANGEREUX, UNIQUEMENT.
 C. LES MODÈLES DE LA SÉRIE eX200, À L'EXCEPTION DE L'AFFICHAGE DU PANNEAU FRONTAL, SONT DES DISPOSITIFS DE TYPE OUVERT ET DOIVENT ÊTRE INSTALLÉS DANS UN BOÎTIER ADAPTÉ À L'ENVIRONNEMENT DE MANIÈRE À CE QUE LA PARTIE INTERNE DE L'APPAREIL NE SOIT ACCESSIBLE QU'AVEC L'UTILISATION D'UN OUTIL.

The products have been designed for use in an industrial environment in compliance with the 2014/30/EU directive / Diese Produkte wurden für die industrielle Nutzung hergestellt. Ihr Betrieb erfüllt die folgenden Bestimmungen 2014/30/EU / Ces pupitres ont été conçus pour utilisation dans un environnement industriel. Ils répondent aux normes 2014/30/UE / Estos productos están diseñados para su instalación en ambientes industriales cumpliendo con las norma 2014/30/UE / I prodotti sono stati progettati per l'impiego in ambiente industriale in conformità alla direttiva 2014/30/UE

The products have been designed in compliance with:
 Die Produkte wurden konform den geltenden Normen und Standards erstellt.
 Les produits ont été conçus en conformité aux normes.
 El producto ha sido diseñado en conformidad con:
 I prodotti sono stati progettati in conformità alle norme:

EN 61000-6-4

EN 61000-6-2

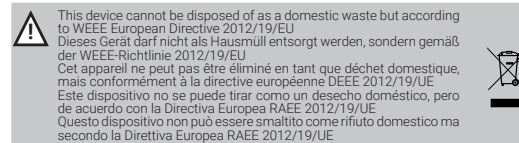
For North America / Für Nordamerika / Pour l'Amérique du Nord / Para Norteamérica / Per il Nord America:

UL 61010-1, 3rd Ed., Issue Date: 2012-05-11, Revision Date: 2023-06-06, UL 61010-2-201, Edition 2, Issue Date 2018-05-14, Revision Date 2022-08-08, UL 50E, 3rd Ed., Issue Date: 2020-10-15

UL 121201, 9th Ed., Issue Date: 2017-09-15, Revision Date: 2021-04-01

CSA C22.2 NO. 61010-1, 3rd Ed., Issued: 2012-05-11, Revised: 2023-06, CSA C22.2 No. 61010-2-201:18, 2nd Ed., Issue Date: 2018-02-01

CSA C22.2 NO. 213-17, 3rd Ed., Issue Date: 2017-09-15, Revision Date: 2021-04-01



OPEN SOURCE SOFTWARE NOTICE

The complete list of the open source components included in the product, and the licenses thereof, may be found in the Web User Interface of the product itself, accessible via System Settings locally or at URL: https://IP/machine_config (System->Legal page).
 For at least three (3) years from delivery of this product (and, if provided by the applicable license, for the period in which this product is officially supported by Exor International), Exor International will give to any third party who contacts it at the contact information provided below, for a charge no more than the cost of physically performing source code distribution, a complete machine-readable copy of the corresponding source code (as defined in the applicable license) and of the installation instructions (if provided for, and as defined by the applicable license) of the open source components covered under LGPL or GPL licenses or other licenses with the obligation to do so.

Contact Information: oss.it@exorint.com

Other information available at: <https://oss.exorint.com/>

EULA:

The installation or use of the software BSP implies acceptance of the terms and conditions (EULA) available here : <https://www.exorint.com/support/eula>

Reproduction of the contents of this copyrighted document, in whole or part, without written permission of Exor International S.p.A., is prohibited.
 Dieses Dokument ist urheberrechtlich geschützt. Das vervielfältigen in Auszügen oder im Ganzen darf nicht ohne die schriftliche Zustimmung von Exor International S. p. A. vorgenommen werden.

Il est interdit de reproduire ou transmettre tout ou partie de ce manuel, a quelques fins que ce soit, sans l'autorisation expresse de Exor International S.p.A.
 Se prohíbe la reproducción de cualquier parte de este manual sin el permiso escrito de Exor International S.p.A.
 Nessuna parte di questo manuale può essere riprodotta senza il preventivo permesso scritto di Exor International S.p.A.

User Manual available on/ Benutzerhandbuch verfügbar auf/ Manuel de l'utilisateur disponible sur/ Manual de usuario disponible/ Manuale utente disponibile su:
www.exorint.com

MANEX2xxU50W V1.05 26.08.2025

©2024-2025 Exor International S.p.A.
 Exor International S.p.A. - San Giovanni Lupatoto VR, Italy
www.exorint.com